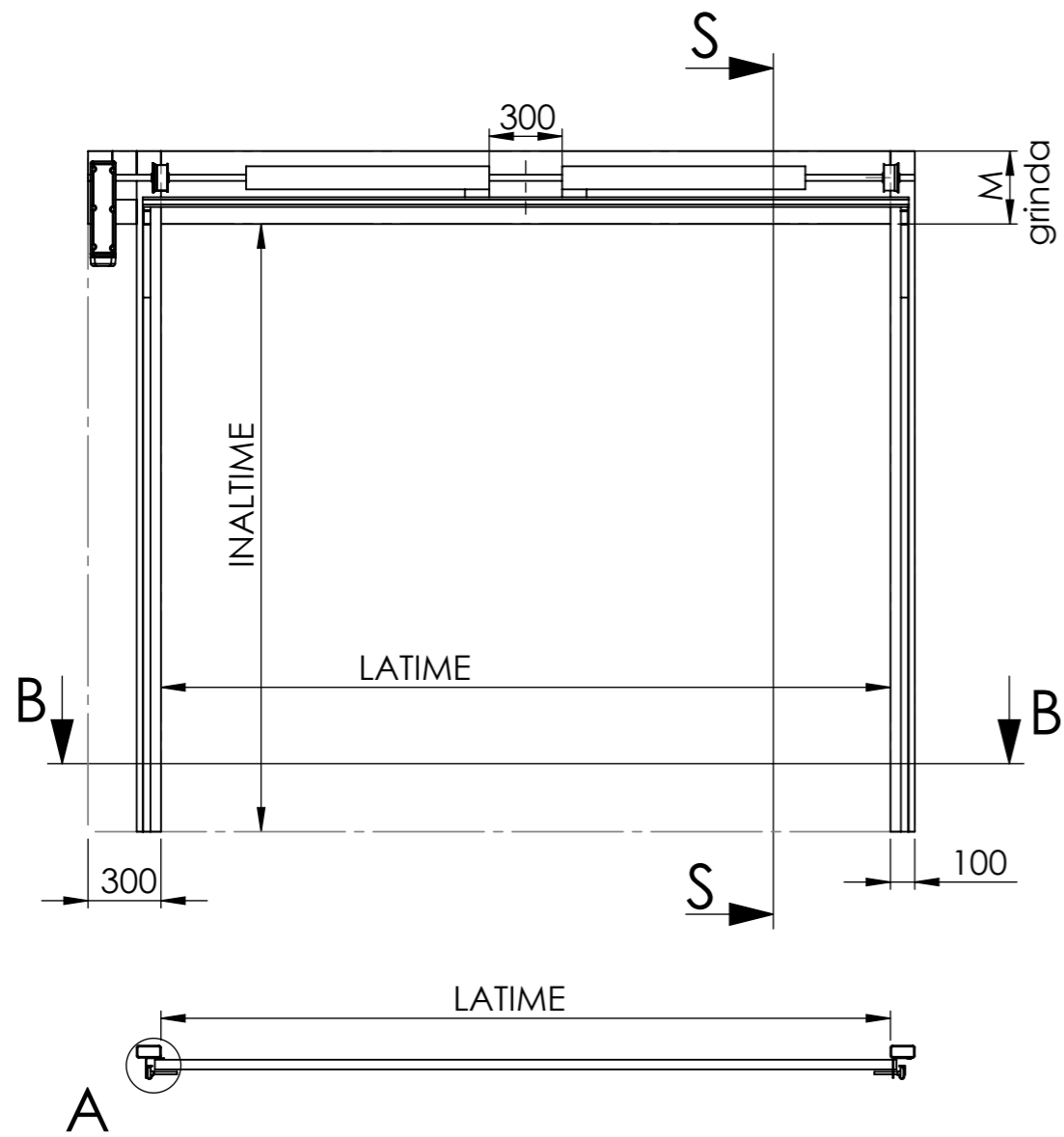
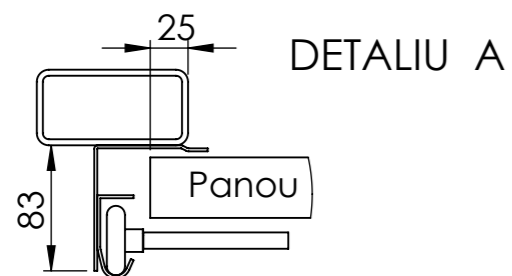


VEDERE FRONTALA - INTERIOR

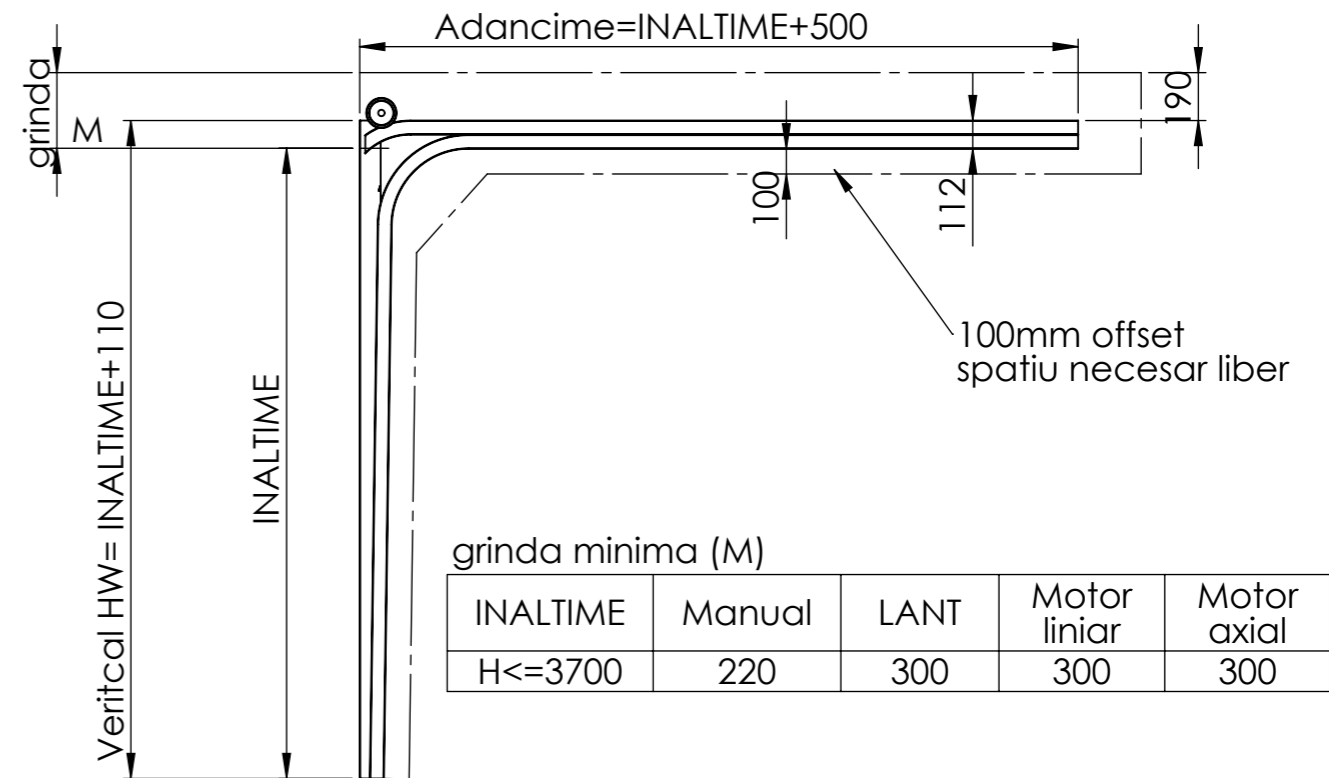


SECTIUNE B - B



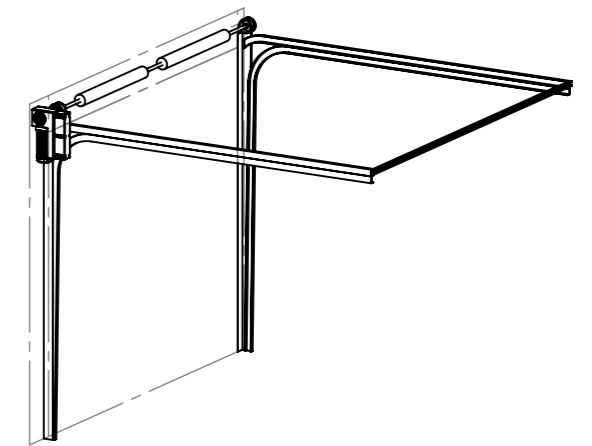
DETALIU A

SECTIUNE LATERALA S - S



grinda minima (M)

INALTIME	Manual	LANT	Motor liniar	Motor axial
H<=3700	220	300	300	300



modelul prezentat este pentru o usa cu
3000 LATIME x 2500 INALTIME

	MCAGRUP.RO Soseaua Oltenitei 223, Popesti-Leordeni 077160			DEBURR AND BREAK SHARP EDGES	DO NOT SCALE DRAWING	REVISION
	DRAWN CHK'D APPV'D MFG Q.A	NAME SIGNATURE DATE	TITLE: LHF Low Headroom Front INDUSTRIAL	DWG NO. System LHF	SCALE:1:100	SHEET 11 OF 11

WEIGHT:

SCALE:1:100

SHEET 11 OF 11